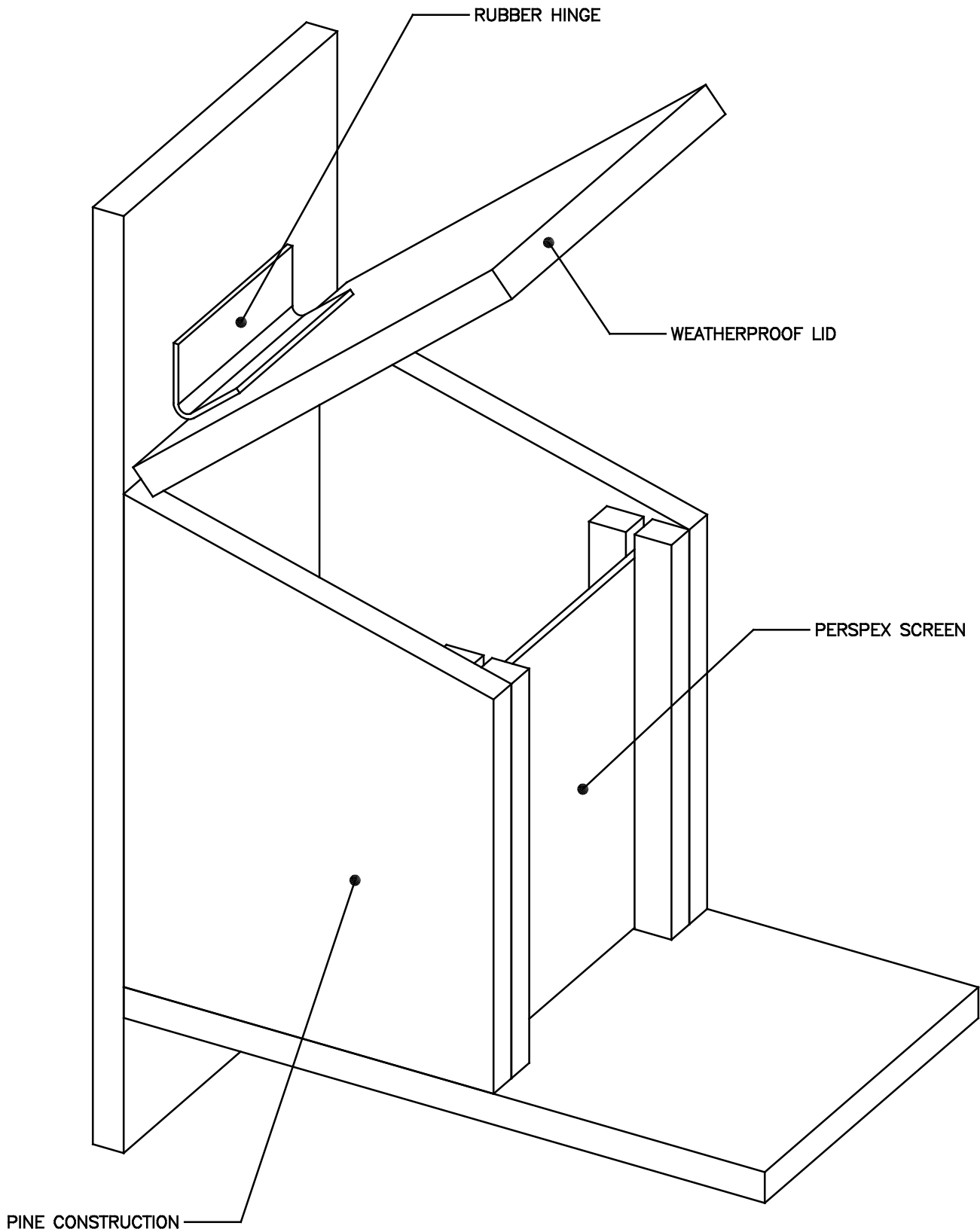
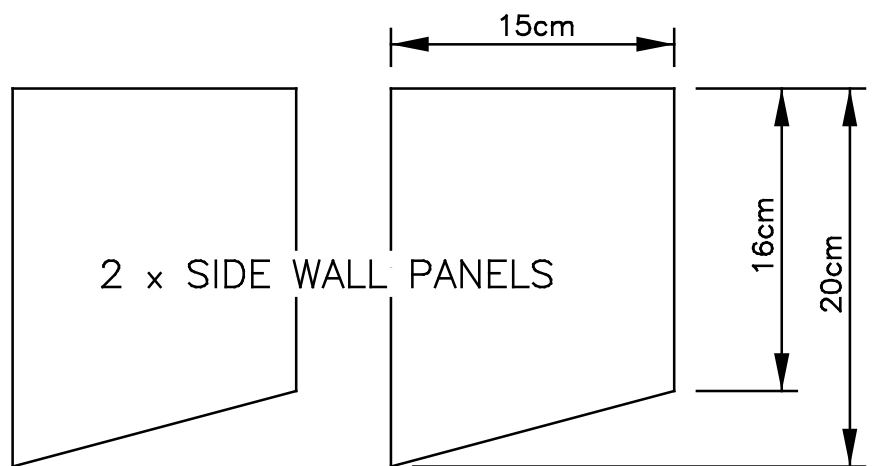
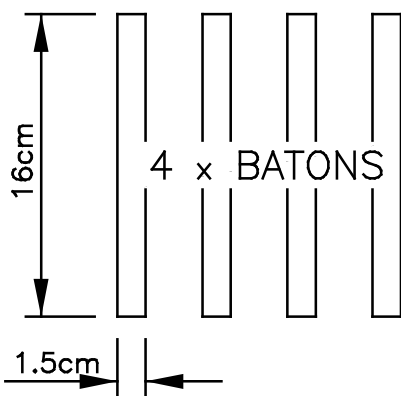
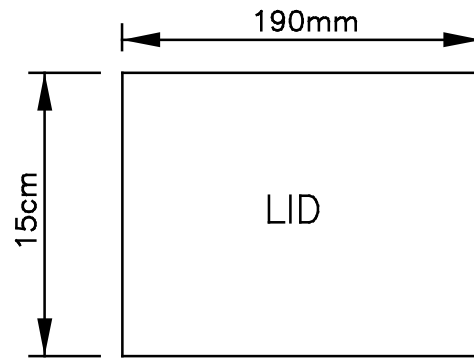
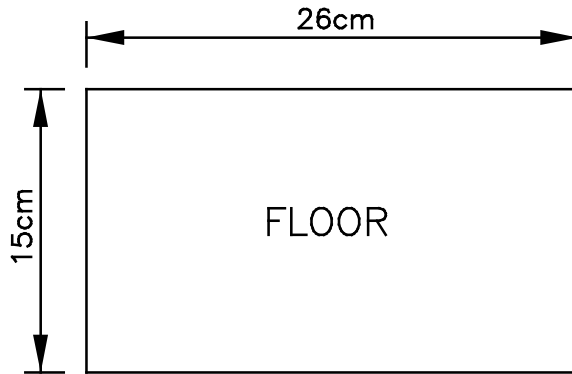
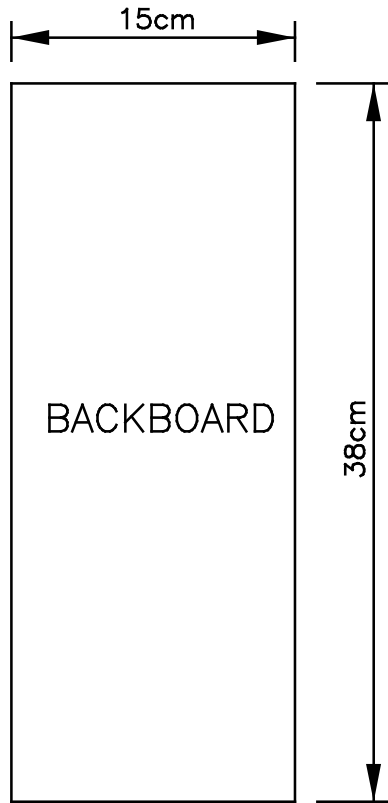


SQUIRREL FEEDER



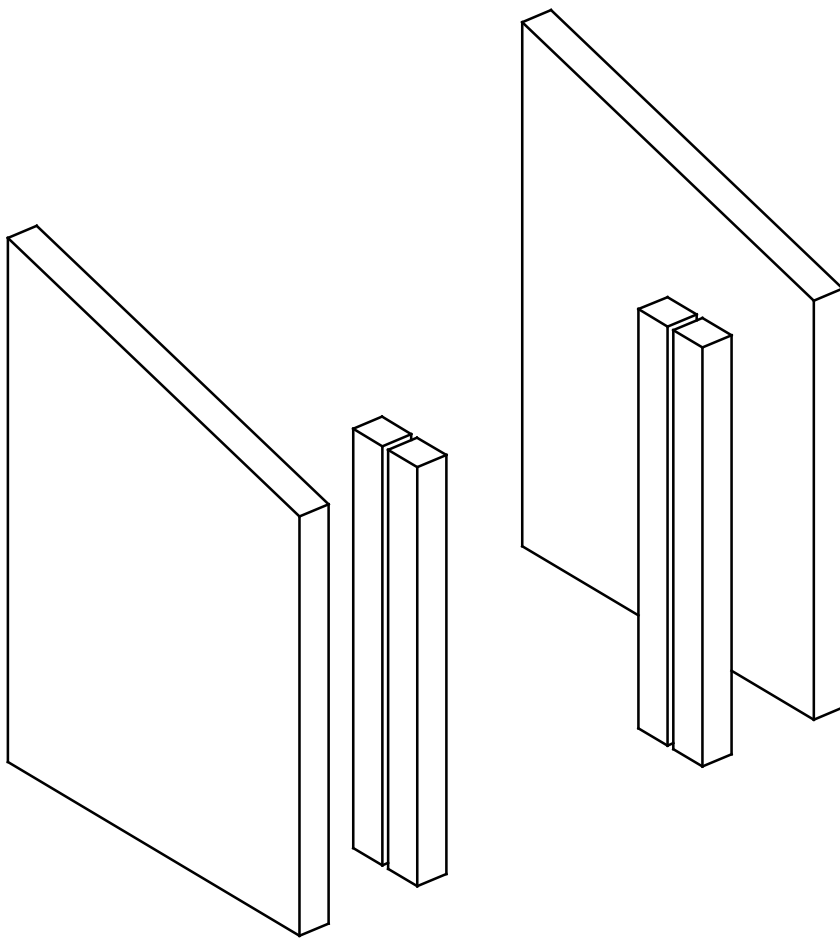
LIST OF PARTS

ALL WOOD TO BE 12.7cm ($\frac{1}{2}$ inch) SOFTWOOD



ALSO REQUIRED:

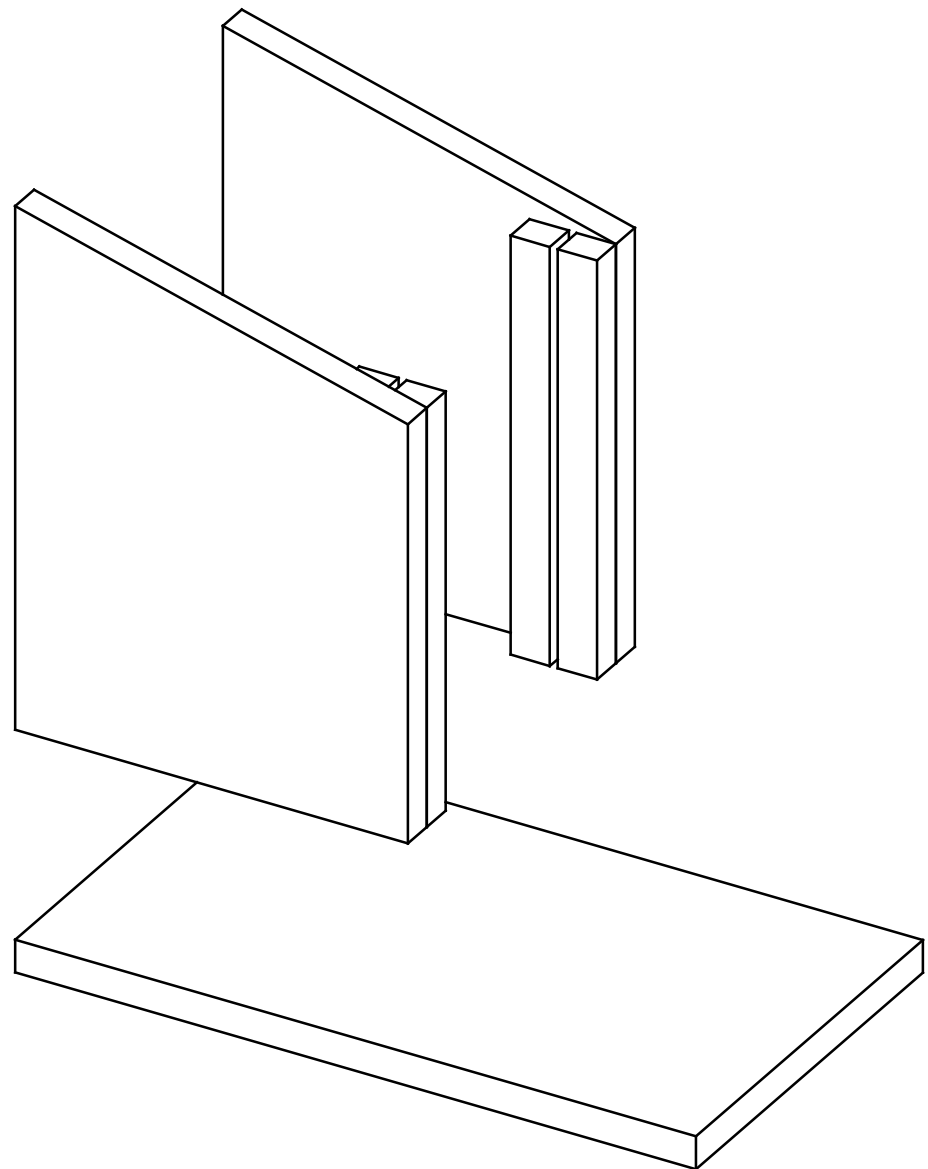
- SINGLE 15cm x 12.5cm x 0.3cm PIECE OF CLEAR ACRYLIC OR PERSPEX
- 14 x NAILS (OR SIMILAR FASTENERS)
- HINGE – RECOMMEND 8cm x 5cm RUBBER SHEET
- WATER-BASED WOOD PRESERVATIVE



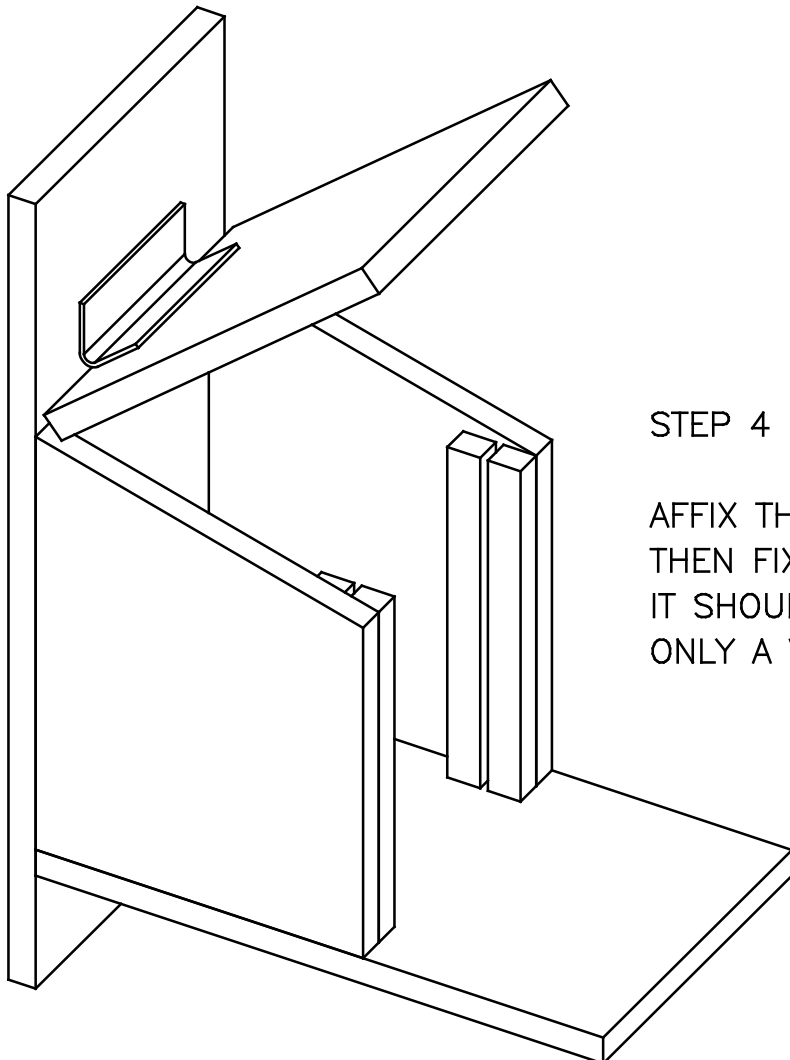
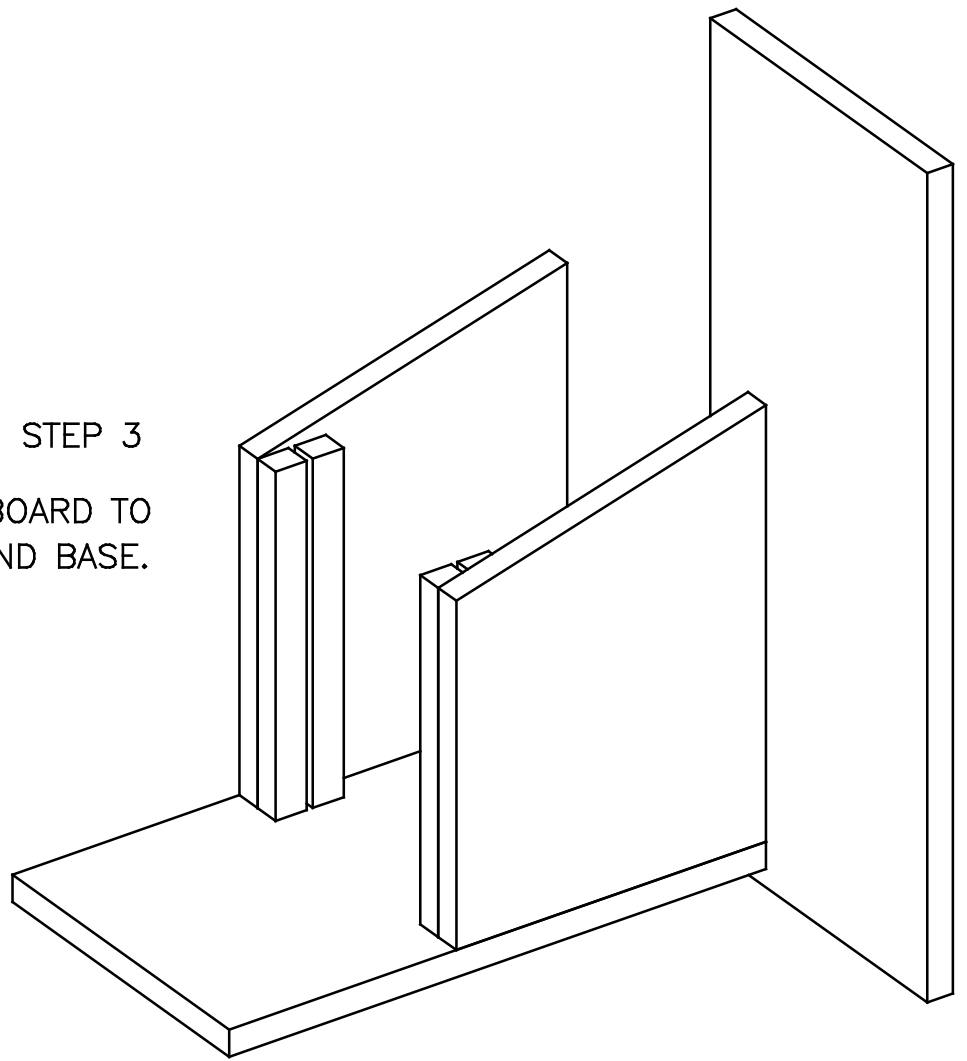
STEP 1

AFFIX THE BATONS TO THE SIDE PANELS. THERE SHOULD BE A 3MM GAP BETWEEN EACH PAIR FOR THE PERSPEX TO SLOT IN.

STEP 2
AFFIX THE WALLS TO THE
BASE BOARD, LINING UP
THE BACKS.



STEP 3
ATTACH THE BACKBOARD TO
THE WALLS AND BASE.



STEP 4

AFFIX THE RUBBER HINGE TO THE LID,
THEN FIX THE HINGE TO THE FEEDER.
IT SHOULD FLEX EASILY AND HAVE
ONLY A VERY SMALL GAP AT THE TOP.

STEP 5

INSERT THE PERSPEX SHEET. THERE SHOULD BE A GAP AT THE TOP TO ALLOW THE SQUIRREL TO OPEN THE LID EASILY.

